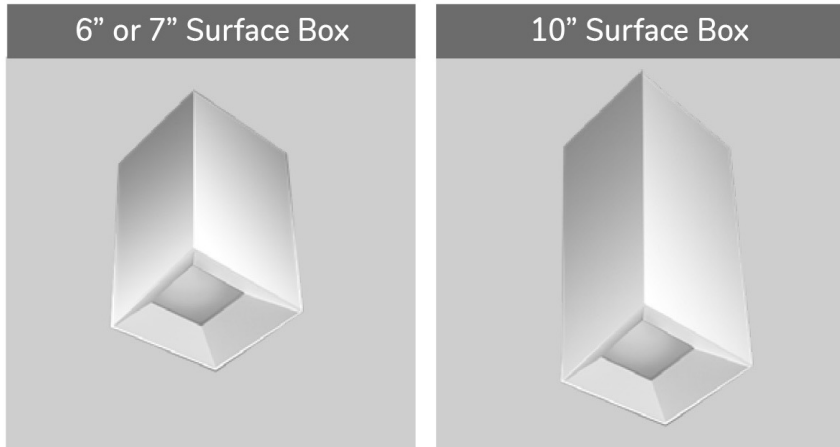
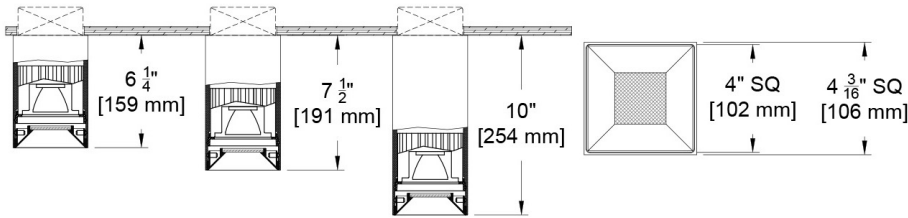


The Core Family

Welcome to the Core surface/pendant mounted square downlight. Our offering deploys 3 different housing lengths, 3 mounting types, 14 paint finish options, 3 trim aperture types, 4 beam distributions and multiple source, driver and control options including our renowned Ambient Dim. This fixture utilizes the same optical system as the Core recessed downlight and offers many of the same source and driver options to allow mixing of recessed and surface as necessary.



Deep Regress (DR) shown



PROJECT:

TYPE:

SPECIFIER:

DATE:

Key Points (CR4CD-SF)

Housing

- 3 height selections - 6", 7" and 10"
- 3 mounting options - Surface, Jbox or Stem/Pendant
- JBox mounting allows conduit pass through
- 3 aperture trim styles
- 14 color options + custom RAL available
- Precision die formed, heavy guage aluminum

Source / Optics

- <2 MacAdam Steps (<2SDCM) for fixed white
- 4 beamspreads available- 15°, 24°, 40°, 55°
- 2400K, 2700K, 3000K, 3500K, 4000K Ambient Dim, RGBW & Tunable White options
- 90 CRI , 60+ R9 Standard- 95 CRI 90+R9 Optional with Ambient Dim
- Up to 1564 delivered lumens

Driver

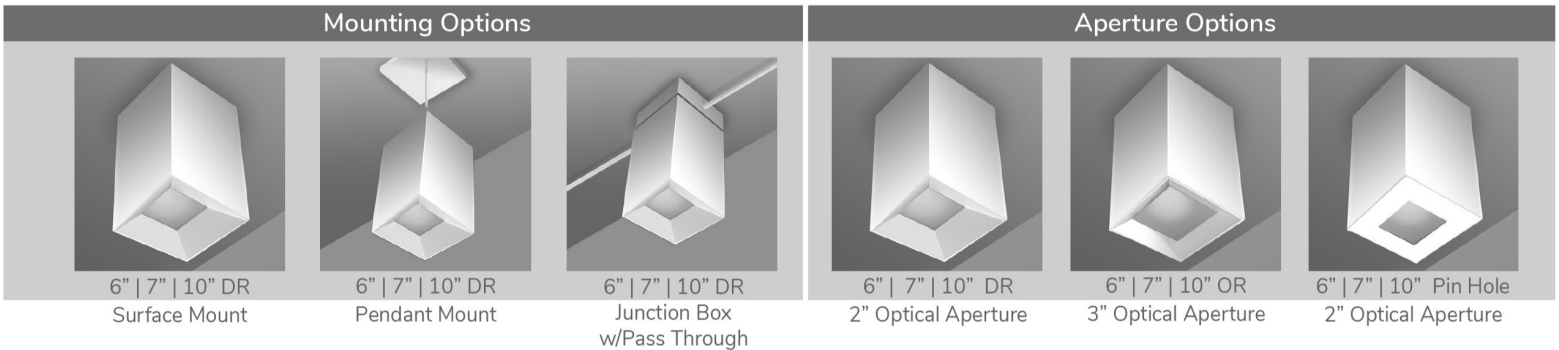
- TruPhase™, 0-10, DALI-2, DMX, Ecosystem or Wireless Control
- Flicker free to IEEE 1789-2015 available with EldoLED and TruPhase™ selections
- Prewired and integral to housing in some configurations
- Universal 120-277v

Labels

- Compliant to JA8
- Us Listed – Damp location

Mounting Options

Aperture Options



Ordering Codes

PROJECT:

SPECIFIER:

DATE:

TYPE:

QUANTITY:

Ordering Code Example: CR4CD-SF-DR-JB-B-10-C14-30-40-C1-P14-91A

FIXTURE	APERTURE	MOUNTING	LENGTH	HEIGHT	SOURCE / WATTS	CCT	BEAM	DRIVER / CONTROL	HOUSING FINISH	LENS ACCESSORIES	ACCESSORIES
CR4CD-SF											
Core 4" Square Cylinder Downlight	DR Deep Regress OR Open Regress FL Flat (Pin Hole)	SM Surface Mount* SMR Surface Mount* (Remote Driver) JB J Box mount^ JBR J Box mount^ (Remote Driver) STM Stem Mount *Recessed Jbox supplied by others ^Surface Jbox cover crafted, finished and supplied by Specialty	B Blank - use for surface or jbox mount - Stem Length - Specify in inches or mm	6 6" Height* 7 7.5" housing height^ 10 10" height^	Citizen C14 ●● 15W 1173Lm** 90+CRI, 60+R9 C20 ●● 21W 1564Lm** 90+CRI, 60+R9 Tunable T9 * 90+CRI, 60+R9 Tunable White T14 * 90+CRI, 60+R9 Tunable White T20 * ●● 21W 1490Lm^ 90+CRI, 60+R9 Tunable White RGBW 90+CRI, 60+R9 Ambient Dim™ A14 ●● 15W** 810Lm 95+CRI, 90+R9 A20 ●● 21W 858Lm 95+CRI, 90+R9 ●● California Title 24 Compliant to JA8 * Requires Remote Driver ** Based on Open Regress 15° beam ^ Available upon request. Contact your regional sales manager	24 2400K 27 2700K 30 3000K 35 3500K 40 4000K Tunable TW1840 1800-4000K Tunable White w/ E1, E2, E3, E4 TW2765 2700-6500K Tunable White w/ E1, E2, E3, E4 RGBW 1200-8000K Dynamic Color Changing Ambient Dim™ 2722 * 2700-2200K *A14 Only 3019 3000-1900K 3022* 3000-2200K *A14 Only	15 Spot 24 Narrow Flood 40 Flood 55 Wide Flood	C1 0-10 1.0%, UNV (120-277V) linear C2 ELV/Triac 1.0%, (120V) linear E1 0-10 0.1%, UNV (120-277V) log E2 DALI-2 0.1%, UNV (120-277V) log E3 0-10 0.1%, UNV (120-277V) linear E4^ DMX 0.1%, UNV (120-277V) Universal DMX Driver/Controller RGBW-DMX ^ INCLUDES DMX/RDM COMPATIBLE DRIVER WITH BUILT-IN DECODER - CONTROLLER BY OTHERS TR2 TruPhase™ 0.1%, (120-120V) log Up to 20W Forward and Reverse compatible Phase Dimming Static White & Ambient Dim only Lutron LD Digital Ecosystem* 1.0%, UNV (120-277V) ECO Hi-Lume SoftOn/Fade-to-Black LDE1	W White Paint B Black Paint PXX Specialty Paint Color* P01-P15 C Custom/RAL* Note: Trim will have same finish as housing *See Finish Guide FINISH GUIDE LINK	Aperture Lens 91A Solite 92A Supertex (Spreader Lens) 93A Frosted XXA Other Aperture Lens Treatments* Reflector (lamp) Media 91L Solite 92L Supertex (spreader lens) 97L Black Hexcel Louver XXL Other reflector (lamp) media* 1 piece of media per opening (aperture or reflector) can be selected *Refer to Lens Accessory Guide LENS ACCESSORY VISUAL GUIDE LINK	EM Emergency Pack Controls LR Lutron Wireless RF PowPak ATH Lutron Athena Wireless Node Must be used with E2 driver CA Casambi Wireless BLE to be paired with driver

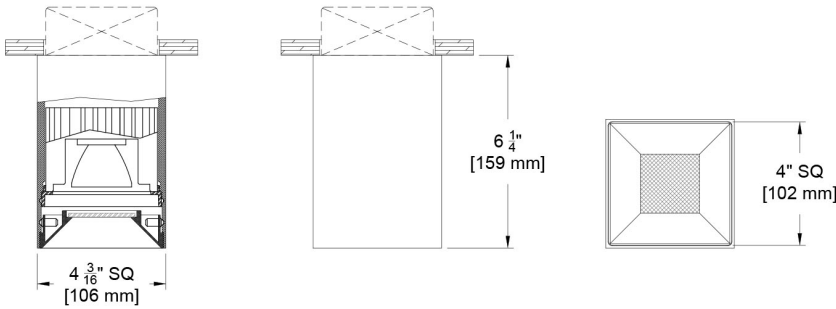
Ceiling Cutouts and Dimensions

Deep Regress Shown - others similar

6" Fixed Box Downlight

Surface Mount (SM)

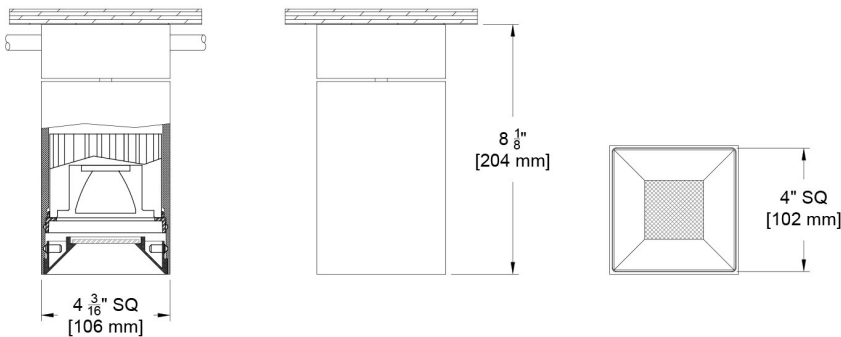
(CR4CD-SF-DR-SM-B-6)



6" Fixed Box Downlight

Junction Box (JB)

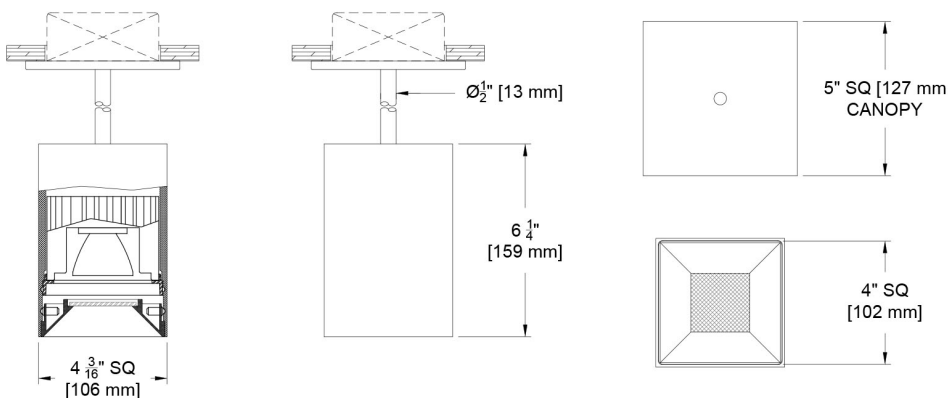
(CR4CD-SF-DR-JB-B-6)



6" Fixed Box Downlight

Stem / Pendant Mount (STM)

(CR4CD-SF-DR-STM-XX"-6)



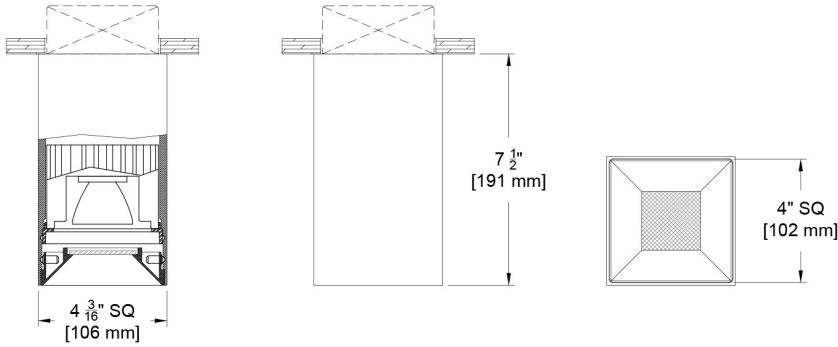
Ceiling Cutouts and Dimensions

Deep Regress Shown - others similar

7" Fixed Box Downlight

Surface Mount (SM)

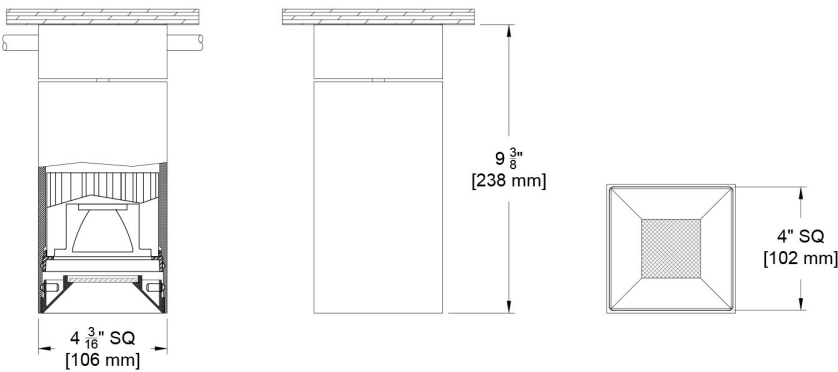
(CR4CD-SF-DR-SM-B-7)



7" Fixed Box Downlight

Junction Box (JB)

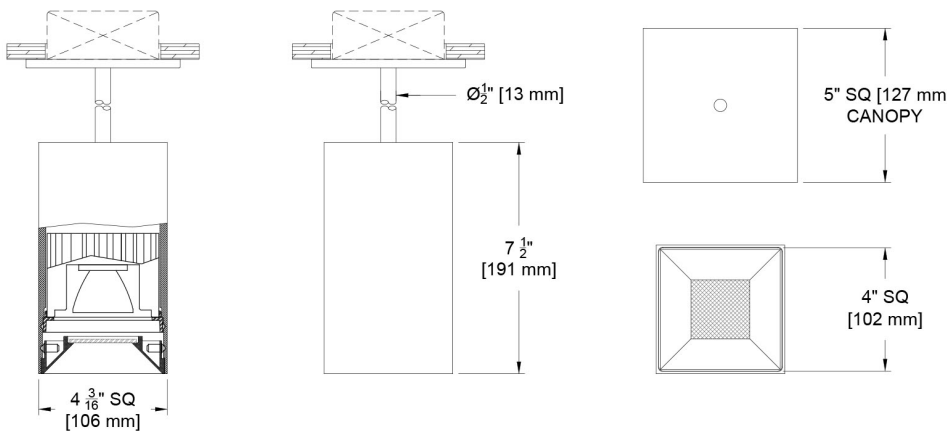
(CR4CD-SF-DR-JB-B-7)



7" Fixed Box Downlight

Stem / Pendant Mount (STM)

(CR4CD-SF-DR-PM-STM-7)



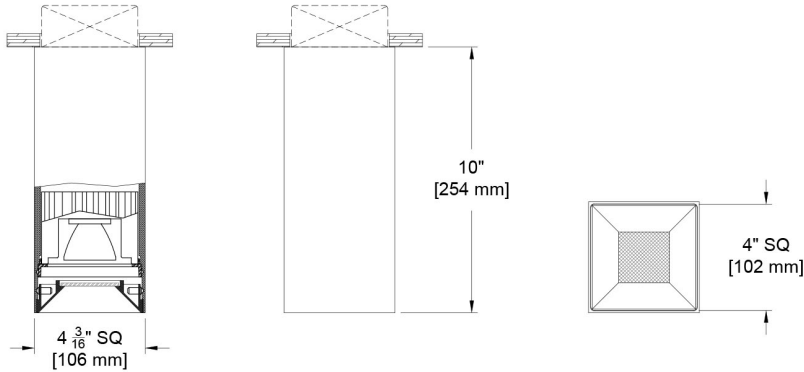
Ceiling Cutouts and Dimensions

Deep Regress Shown - others similar

10" Fixed Box Downlight

Surface Mount (SM)

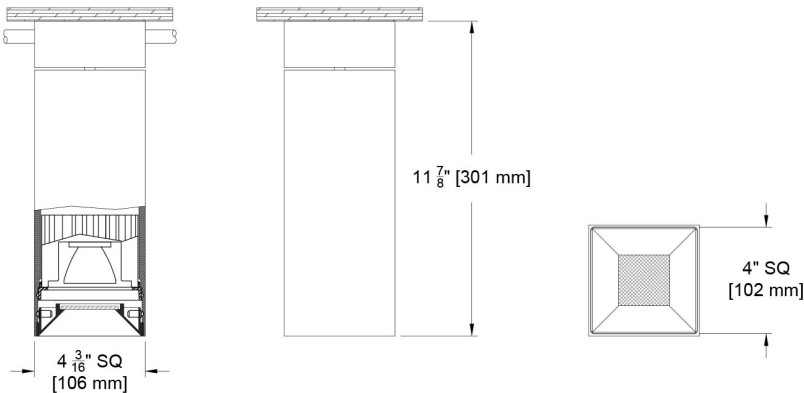
(CR4CD-SF-DR-SM-B-10)



10" Fixed Box Downlight

Junction Box (JB)

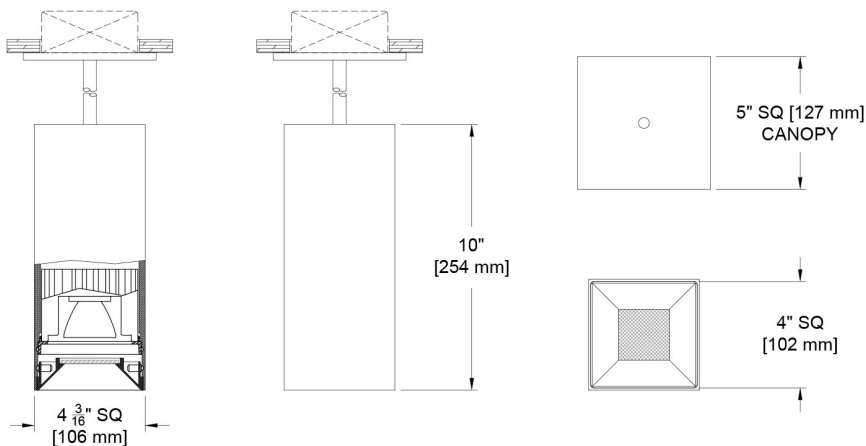
(CR4CD-SF-DR-JB-B-10)



10" Fixed Box Downlight

Stem / Pendant Mount (STM)

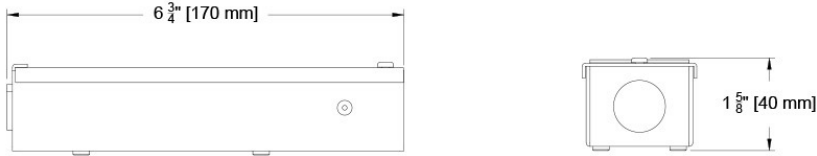
(CR4CD-SF-DR-STM-XX"-10)



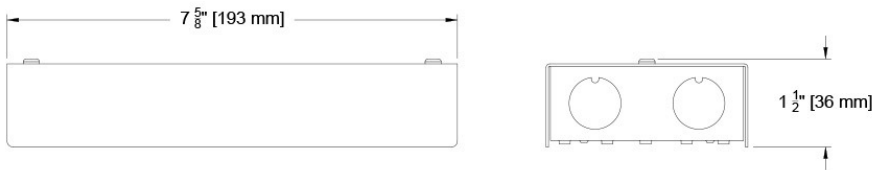
Ceiling Cutouts and Dimensions

Deep Regress Shown - others similar

Driver Enclosure for Remote Driver for C1, C2, E1, E2, E3, TR2



Driver Enclosure for Remote Driver for E4, LD



Photometric Table

All data is from goniometer measurements of production representative product. All lumen values can vary +/- 10% from LED manufacturer rated flux range. Measurements at 3000 CCT. Ambient dim at full output. Photometrics are based on the recessed wall wash (CR4D-SF). You will need to set the height of the IES file within your calculation based on the mounting method and length of product selected.

SQUARE Beamspreads		15°				24°				40°				55°				
Source	System watts (W)	Delivered Lumens (lm)	Lumens/Watt	Peak CD	10% Field	Delivered Lumens (lm)	Lumens/Watt	Peak CD	10% Field	Delivered Lumens (lm)	Lumens/Watt	Peak CD	10% Field	Del. Lumens (lm)	Lms/Watt	Peak CD	10% Field	
Deep Regress	Citizen C14	15	1068	71	7642	42°	995	66	4174	46°	1037	69	3429	51°	996	66	1402	71°
	Citizen C20	21	1424	68	10190	40°	1326	63	5562	39°	1382	66	4570	55°	1328	63	1870	73°
	Ambient Dim A14	15	694	46	6220	43°	656	44	3189	44°	656	44	1827	53°	643	43	1028	70°
Open Regress	Citizen C14	15	1173	78	7776	42°	1091	73	4167	52°	1112	74	2422	66°	1058	71	1357	74°
	Citizen C20	21	1564	74	10369	41°	1455	69	5559	57°	1482	71	3199	63°	1411	67	1810	76°
	Ambient Dim A14	15	810	54	5857	39°	779	52	3270	56°	779	52	1829	60°	764	51	1058	72°
Flat (Pin Hole)	Citizen C14	15	829	55	7740	37°	737	49	1436	46°	719	48	2379	51°	661	44	1357	64°
	Citizen C20	21	1105	53	10321	35°	982	47	5513	42°	958	46	3169	49°	881	42	1808	62°
	Ambient Dim A14	15	539	36	4828	36°	479	32	2326	42°	467	31	1301	50°	429	29	689	63°
CCT Multiplier																		
CCT	Citizen																	
2700	0.95																	
3000	1.00																	
3500	1.02																	
4000	1.03																	
All Measurements delivered or derived delivered lumens based on 3000K. ISO CD plots based on Open Regress Ambient dim at full output. Flat (Pin Hole) at wider beam angles experience significant beam clipping - refer to PDF report for exact FWHM beam angle.		<p>Beam angle 15.7°</p>				<p>Beam angle 24.1°</p>				<p>Beam angle 39.8°</p>				<p>Beam angle 57°</p>				

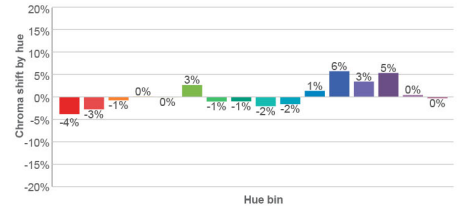
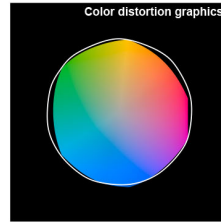
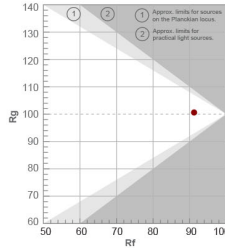
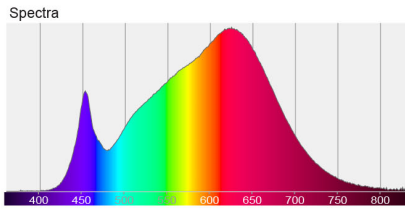
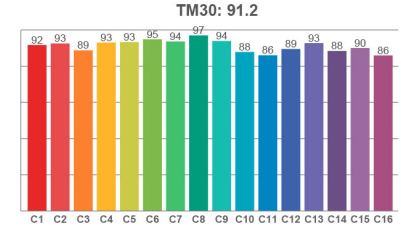
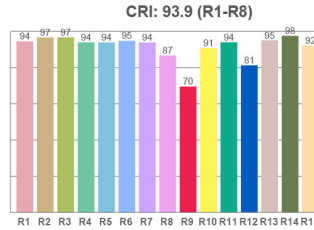
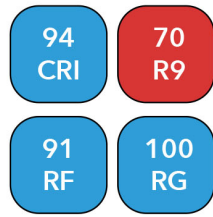
ISO CD Plot based on Open Regress. All data based on delivered or derived delivered lumens at 3000k. Ambient dim at full output. Flat (Pin Hole) aperture wider beams experience significant beam clipping - refer to PDF report for exact FWHM beam angle.

Color Data

All data is based from goniometer measurements of production representative product. All values can vary +/- 10% from LED manufacturer rated data range. Measurements at 3000 CCT.

Citizen - C14 and C20

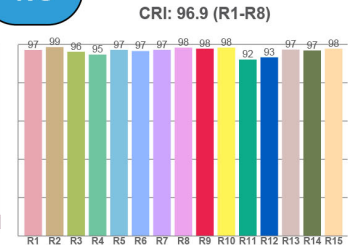
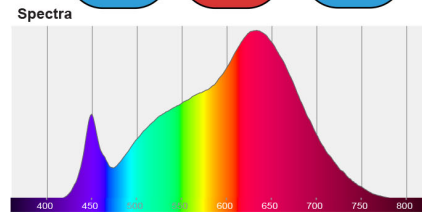
- <2 MacAdam Ellipse (<2 SDCM)
- 90+ CRI and RF
- 60+R9, Hue Bin 1



Ambient Dim - 3000k to 1900k

- <3 MacAdam Ellipse (<3 SDCM)
- 95+ CRI and RF
- 90+R9, Hue Bin 1
- Follows Black Body Locus through dimming range

3000 CCT Full Output



1850 CCT 5% Output

